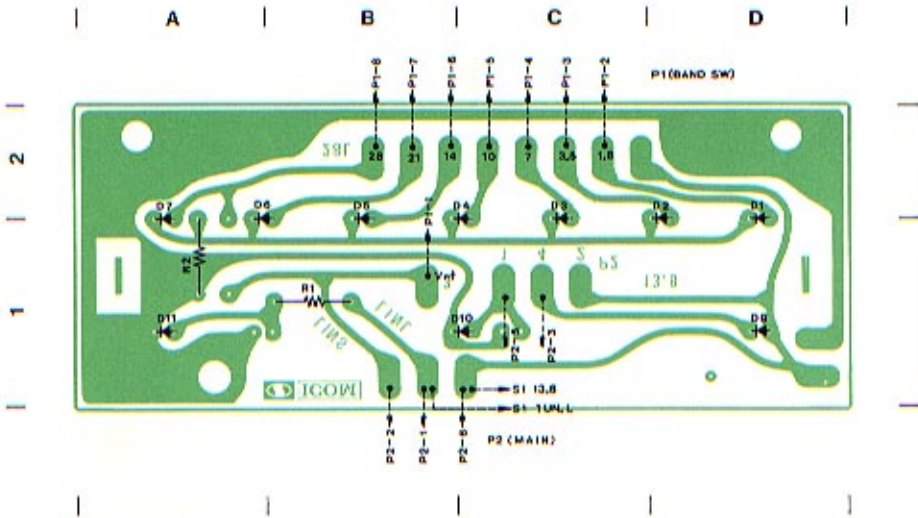
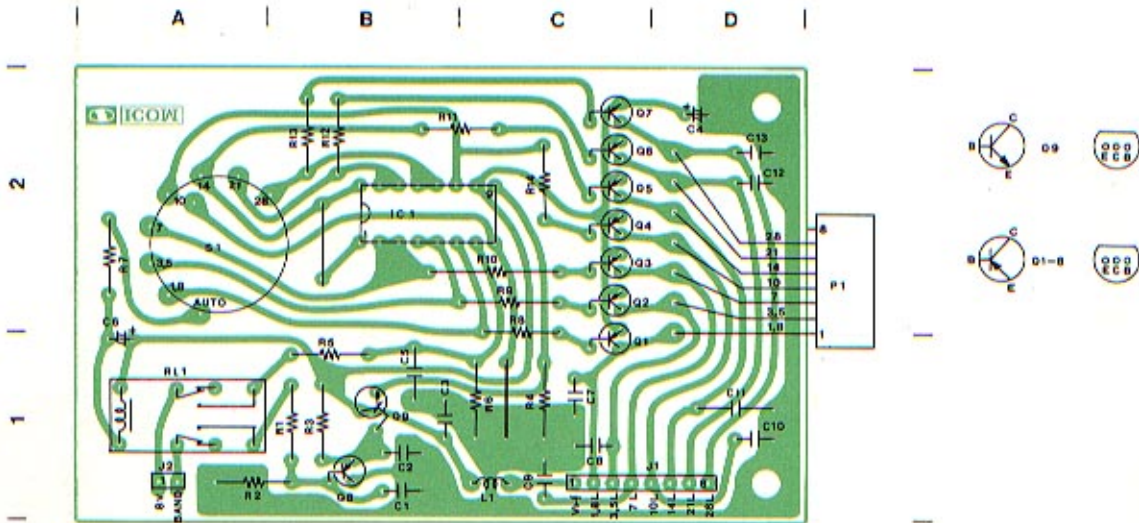


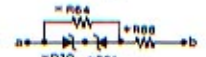
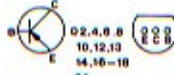
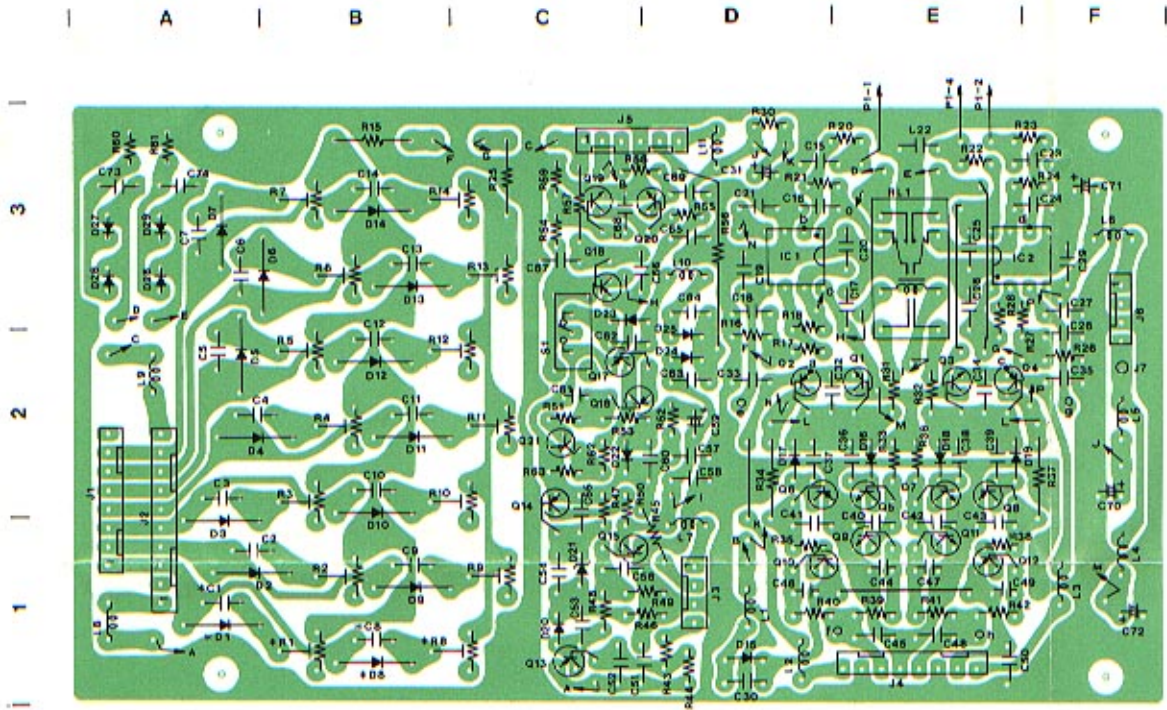
LED UNIT



BAND SWITCH UNIT

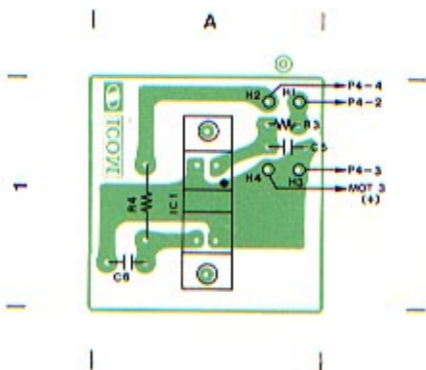


MAIN UNIT



= AT500 ONLY

SENSOR UNIT



DET UNIT

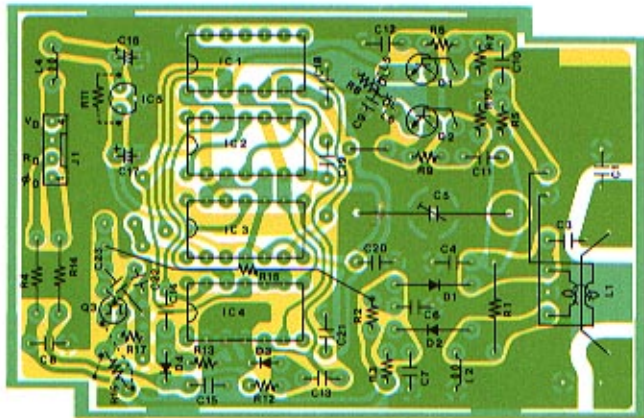
A

B

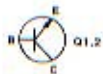
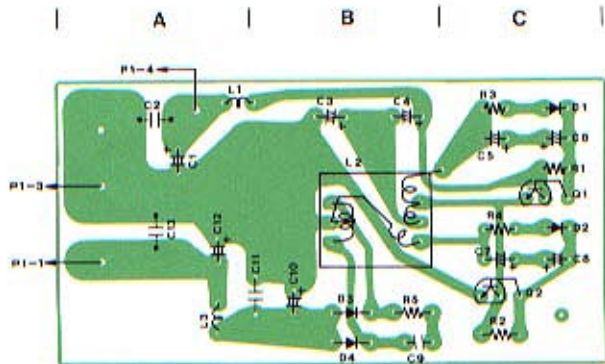
C

2

1



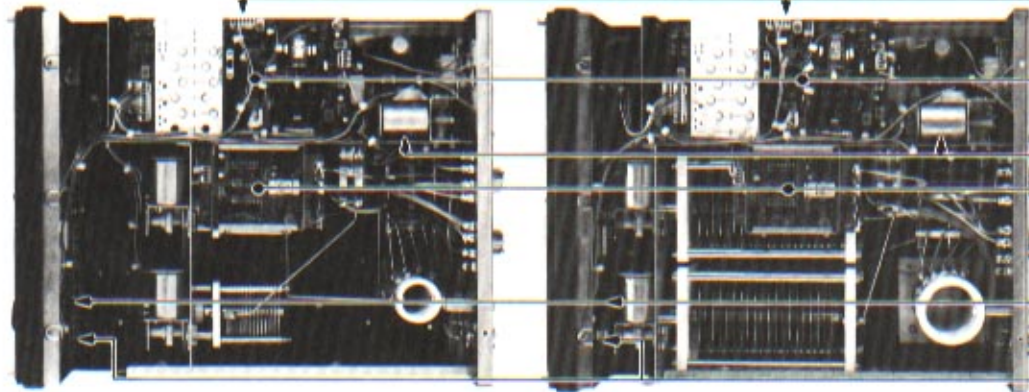
DC - DC UNIT



UNIT LAYOUT

IC-AT100

IC-AT500



DC-DC UNIT

MAIN UNIT

SENSOR UNIT

DET UNIT

LED UNIT

BAND SWITCH UNIT

ICOM INCORPORATED

Some components subject to change for
an improvement without notice.

Printed in Japan